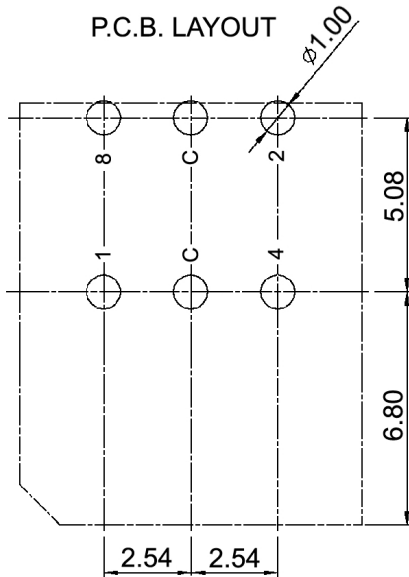


P.C.B. LAYOUT



Compliance: RohS III (2015/863/EU)

Tolerances: $\leq 10\text{mm}$:		Date	Name
$\geq 10\text{mm}$:		08/07	dr
Material	02/21	dr	
Soldering conditions	01/11	dr	
IP rating	06/09	dr	
Operating temperature	11/08	dr	
Temperatures	01/08	dr	
Modifications	Date	Name	

DRR 60116

knitter-switch

30 11 98

Page

1/2

Specifications:

Contact rating: switching: 150mA, 42V DC
 non-switching: 200mA, 42V DC

Contact resistance: 80mOhm max.

Insulation resistance: 100MOhm min.

Mechanical life: 10 000 cycles

Operating force: 700gf max.

Operating temperature: -40°C to +85°C

Storage temperature: -40°C to +85°C

Soldering conditions: pre-heat: max. 120°C, max. 70sec.
 wave soldering: max. 260°C, max. 10sec.

IP rating: IP67

Material: Cover: PA66, white
 O-ring: silicone, black
 Actuator: POM, ivory
 PCB: epoxy
 Base: PA66, black
 Terminal / contact: phosphor bronze, min. 0.07µm gold plated
 over min. 0.1µm nickel

Hexadecimal inverse

	Complement coded				
	C	1	2	4	8
0	●	●	●	●	●
1	●		●	●	●
2	●	●		●	●
3	●			●	●
4	●	●	●		●
5	●		●		●
6	●	●			●
7	●				●
8	●	●	●	●	
9	●		●	●	
A	●	●		●	
B	●			●	
C	●	●	●		
D	●		●		
E	●	●			
F	●				

Compliance: RohS III (2015/863/EU)

Tolerances: ≤ 10mm:	Date	Name	DRR 60116	Page
≥ 10mm:	08/07	dr		
Material	02/21	dr	knitter-switch	30 11 98
Soldering conditions	01/11	dr		
IP rating	06/09	dr		
Operating temperature	11/08	dr	30 11 98	2/2
Temperatures	01/08	dr		
Modifications	Date	Name		